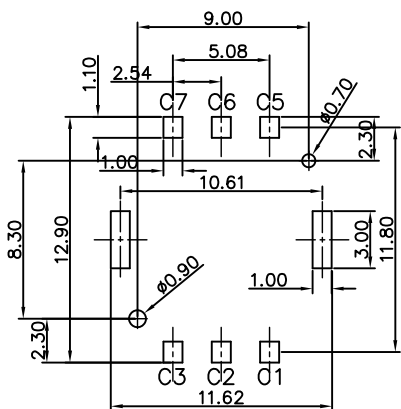
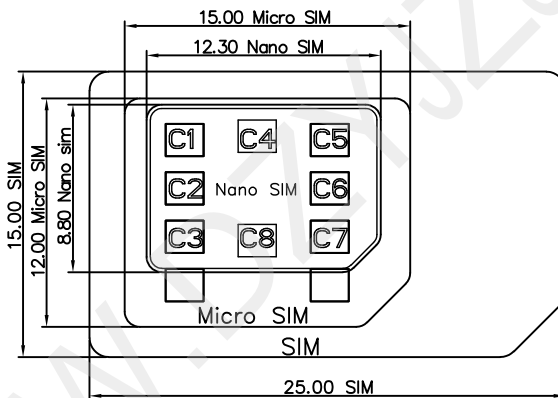


SECTION: A-A



RECOMMENDED PCB LAYOUT
GENERAL TOLERANCE ± 0.05



Nano SIM Card
REFERENCE DATA

- C1 --> VCC
- C2 --> RST
- C3 --> CLK
- C5 --> GND
- C6 --> VPP
- C7 --> I/O

Notes:

1.Material:

Housing: LCP 30%GF, UL94V-0, Black
Contact : Phosphor Bronze, T=0.15mm
Shell: SUS201-H, T=0.15mm

2.Plating:

Contact:

Contact Area: 3U" GOLD PLATED
Solder Area: G/F Gold
Underplating: Ni overall 50u" Min.

Shell:

Solder Area: G/F Gold
Underplating: Ni overall 50u"

3.Mechanical:

Life cycles: 3000.

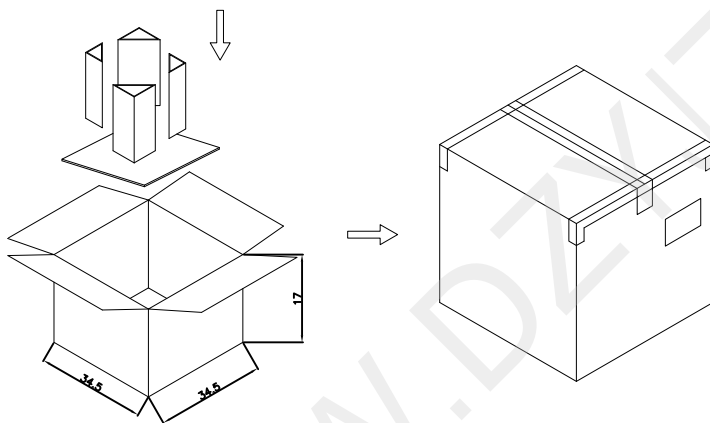
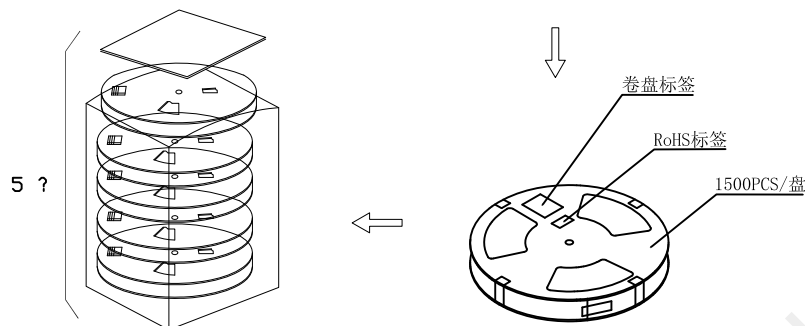
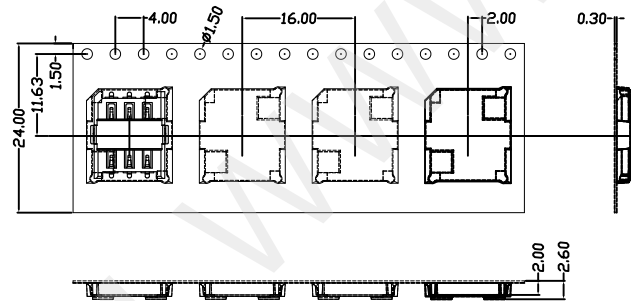
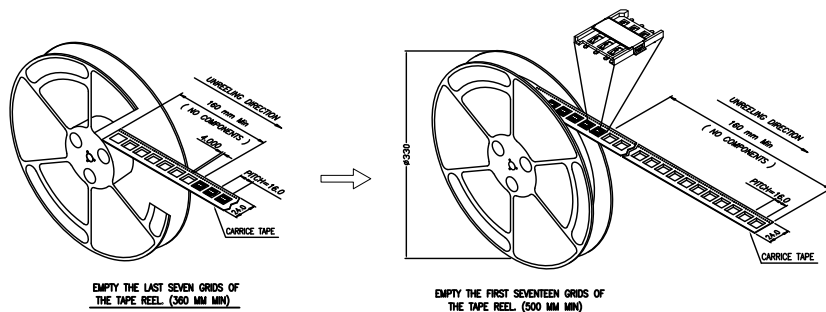
4.Electrical:

Voltage Rating: 30V AC RMS
Current Rating: 0.5A AC RMS Max
Operating Temperature: -20°C to $+80^{\circ}\text{C}$
Dielectric Withstanding Voltage: 100V AC (60Sec Min)
Insulation Resistance: 1000M Ω Min
Contact Resistance: 30m Ω Max



深圳市华宇创精密电子有限公司

| | | | |
|--|--------------------|----------------------|---------------------------------|
| TOLERANCE: X.X ± 0.30 X.XX ± 0.25 X.XXX ± 0.15 X' $\pm 2'$ X.X' $\pm 0.5'$ | DRAWN BY : 陈一鸣 | DATE : 2014-02-23 | PART NAME: NANO SIM 6P 1.45H |
| | CHECKED BY: 马跃 | DATE : 2014-02-23 | PART NO. HYC389-SIM06-145 |
| UNIT: mm [inch] SCALE:1:1 SIZE: A4 | APPROVED BY: 邱敏 | DATE : 2014-02-23 | DRAW NO: HYC-2604171549 |
| | | | SHEET NO. 1 OF 1 |



NOTE:

1.MATERIAL:

- BOX: FIBREBOARD, CORRUGATED, DOUBLE WALL.
- TAPE: POLYSTYRENES, HEAT-RESISTANT TEMPERATURE: 120°C, BLACK COLOR.
- REEL: POLYSTYRENES, HEAT-RESISTANT TEMPERATURE: 70°C, BLUE COLOR.
- BAG: POLYETHYLENE, HEAT-RESISTANT TEMPERATURE: 100°C.

2.PEELING STRENGTH: 0.1 ~ 1.3 N (10 ~ 130 GRAMS)

3.PEELING SPEED: 300 mm/min.

4.EACH BAG SHALL BE INCLUDED DESICCANT.

| | | | |
|-------------|-------------------|-------------|-----------------|
| PCS/REEL | 1500 | PCS/REEL | 1500 |
| REEL/BOX | 12 | REEL/BOX | 6 |
| TOTAL (PCS) | 18000 | TOTAL (PCS) | 9000 |
| CTN SIZE | 34.5*34.5*39.5 CM | CTN SIZE | 34.5*34.5*20 CM |
| GW | --- KG | GW | --- KG |
| NW | --- KG | NW | --- KG |



深圳市华宇创精密电子有限公司

| | | | | |
|---|--------------------|----------------------|-------------------|--------|
| TOLERANCE: X.X ±0.30 X.XX ±0.25 X.XXX ±0.15 X' ±2' X.X' ±0.5' | DRAWN BY : 陈一鸣 | DATE : 2014-02-23 | PART NAME: 包装图 | |
| | CHECKED BY: 马跃 | DATE : 2014-02-23 | PART NO. | |
| UNIT: mm [inch] SCALE:1:1 SIZE: A4 | APPROVED BY: 邱敏 | DATE : 2014-02-23 | MOLD NO. | |
| | | | DRAW NO: | |
| | | | SHEET NO. | 1 OF 1 |